

Needle Grippers SNG-BV

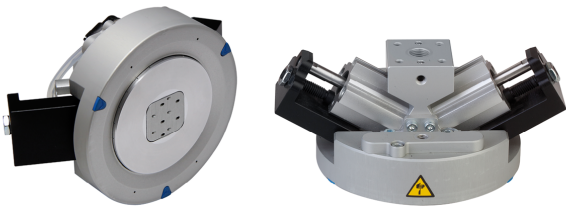
Needle stroke 0 mm to 7 mm (variable) · Diameter (Ø) 100 mm



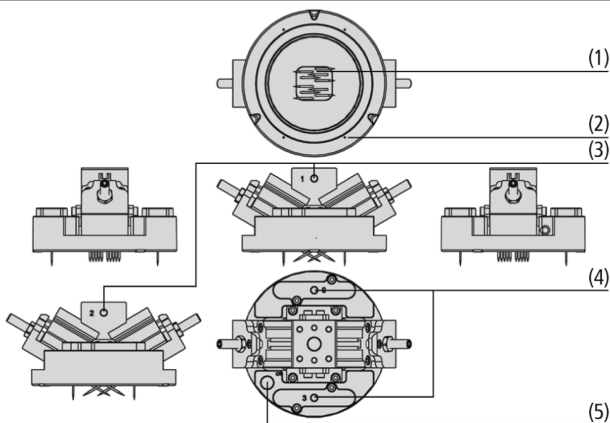
Suitability for industry specific applications

Application

- Combination of the principles of operation of the needle gripper and floating suction cup
- Process-secure separation of composite textiles using SBS floating suction cup
- SNG-V needle gripper for energy-optimized handling of porous and non-rigid textiles and semi-finished products
- Precise handling through upright needles



Needle Grippers SNG-BV



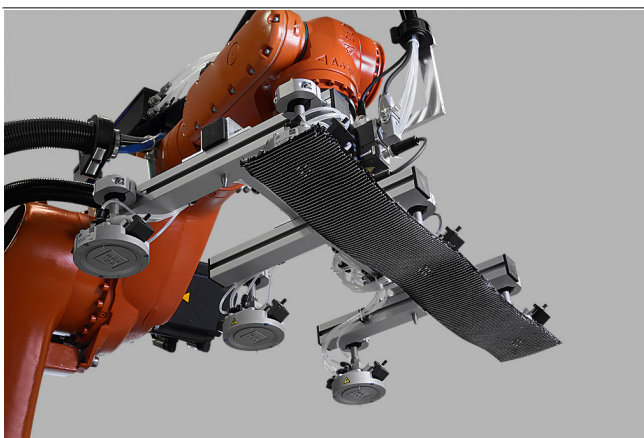
System design Needle Grippers SNG-BV

Design

- 10 crossed needles with a 1.2 mm diameter and insertion angle of 30° (1)
- Vertical single-action needles (2), compressed air connection for them (4)
- Compressed air connections for extending/contracting crossed needles (3)
- Compressed air connection for SBS floating suction cup (5)

Product highlights

- Bernoulli principle enables reliable separation without compressed air consumption
- Crossed needles hold even very unstable workpieces securely
- Variable needle stroke enables individual adaptation to a wide range of workpieces
- Four vertical needles fix the workpiece and allow positionally accurate handling
- Handling with and without floating suction cup possible, flexible process sequence



Needle grippers SNG-BV when handling textiles

Needle Grippers SNG-BV

Needle stroke 0 mm to 7 mm (variable) · Diameter (Ø) 100 mm

Designation code Needle Grippers SNG-BV

SNG-BV	-	10	-	1.2	-	V	-	100	-	SF	-	SBS-4POS
1		2		3		4		5		6		7

1 – Abbreviated designation

Code	Version
SNG-BV	SNG-BV

2 – Number of needles

Code	Number
10	10

3 – Needle diameter

Code	Diameter in mm
1.2	ø 1.2

4 – Product addition

Code	Type
V	Variable needle stroke

5 – Diameter

Code	Diameter in mm
100	ø 100

6 – Flow element

Code	Type
SF	Standard Flow

7 – Product addition

Code	Type
SBS-4POS	SBS and 4 positioning needles

The needle gripper SNG-BV is delivered as a ready-to-connect product.

Available spare parts: needle holder (spare parts set needle gripper ERS-SET), friction surface

Available accessories: mounting plate (BEF-PL)

Ordering data Needle Grippers SNG-BV

Type	Part no.
SNG-BV 10 1.2 V 100SF SBS-4POS	10.01.29.00481

Ordering data Spare parts Needle Grippers SNG-BV

Spare parts	Part no.
ERS SNG-M 4 0.8	Set of spare parts needle gripper 10.01.29.00094
ERS SNG-V 10 1.2	Set of spare parts needle gripper 10.01.29.00238
REIB-FL SBS HT1-60	Friction surface (f. spec. grippers) 10.01.01.12593

Ordering data Accessories Needle Grippers SNG-BV

Accessories	Part no.
BEF-PL 31x34x11.5 G1/4-IG SNG	Mounting plate 10.01.29.00093
STV-GE M5-AG 6	Plug union, straight 10.08.02.00201
STV-GE M5-AG 6 HT	Plug union, straight 10.08.02.00396
VSL 6-4 PU MI-TR	Vacuum hose (meter) 10.07.09.00002

Technical data Needle Grippers SNG-BV

Type	Needle diameter [mm]	Number of needles
SNG-BV 10 1.2 V 100SF SBS-4POS	2	10

Design data Needle Grippers SNG-BV

Type	B [mm]	D [mm]	G1	G2				W(E) [°]	X1 [mm]	Y1 [mm]	Z (Stroke) [mm]	Z(NA) [mm]
SNG-BV 10 1.2 V 100SF SBS-4POS	100	100.0	M5-F	G1/8"-F	G1/8"-F	M4-F	M5-F	30	20	20	9	7